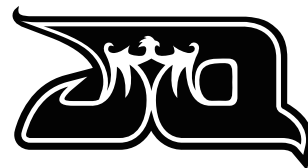




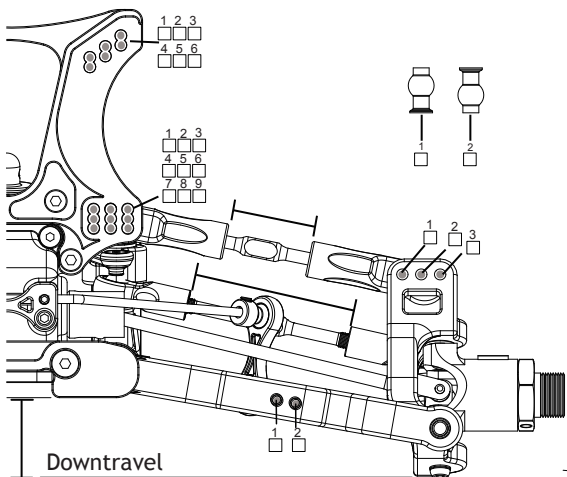
Name
Date
Track
Temperature
Weather

Tight
Open
Smooth
Rough

Low Bite
High Bite
Dusty
BlueGroove



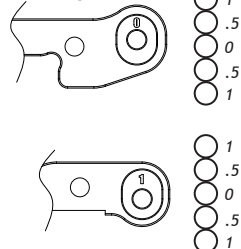
FRONT



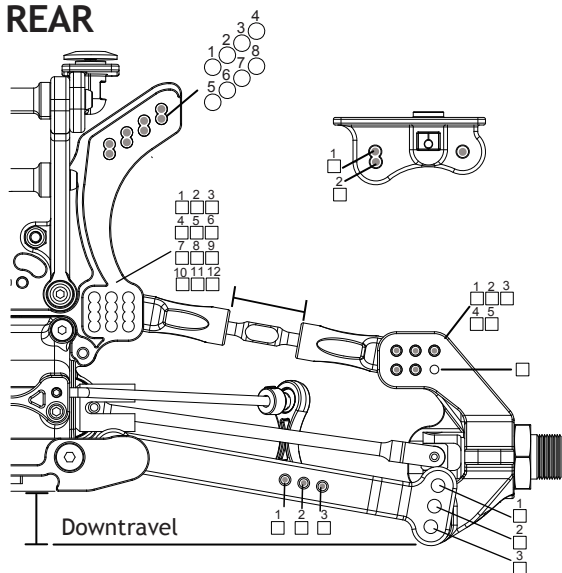
Ackermann

- SHORT
- MED
- LONG

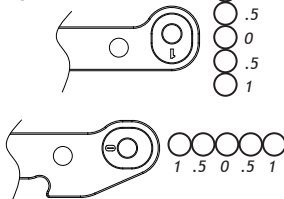
Kick-up



REAR

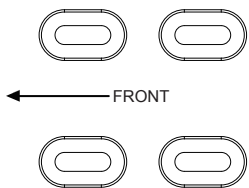
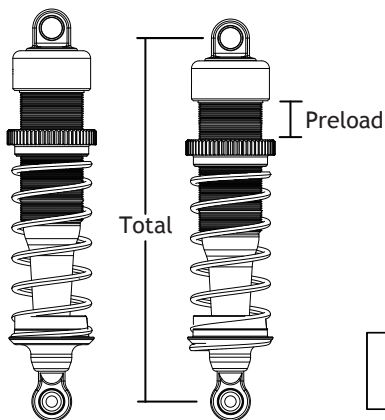
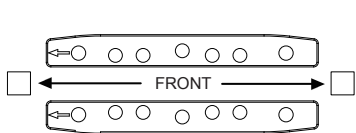
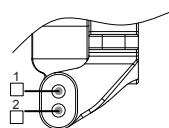


Antisquat / Toe In



Rear Hub Position

- FRONT
- MIDDLE
- REAR



	FRONT	REAR
*		
Ride Height		
Downtravel		
Camber	Length: mm	Length: mm
	Degree:	Degree:
Steering Link / Front Toe	Length: mm	
	Degree:	
Swaybar		

SHOCKS		
Oil		
Piston		
Spring		
Length	Preload: mm	Preload: mm
	Total: mm	Total: mm
Rebound		

TYRES		
Brand		
Compound		
Insert		
Wheel		

	FRONT	CENTER	REAR
Oil wt			
Active			

Plug	Fuel	Pipe	Main Gear	Clutch Bell	Clutch

Best Laptime

Runtime

Best result

NOTES

Blank area for notes.